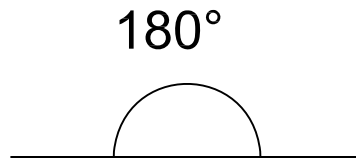
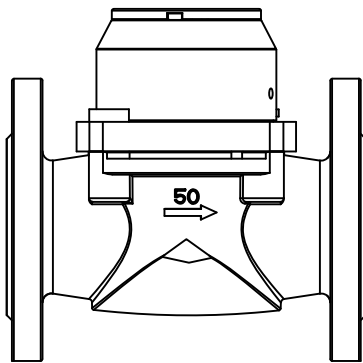
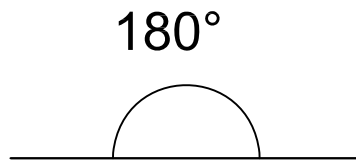
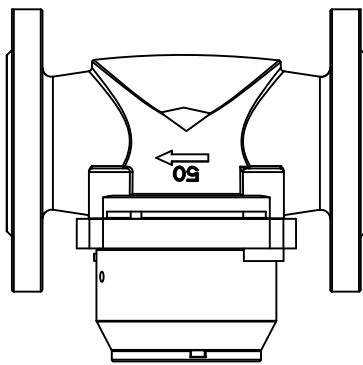


Flange End Smart Water Meter Installation Requirement



Horizontal
Position



Inverted
Position



Installation Requirements

- 1.The meter should be installed in horizontal position with the direction of the flow as indicated by the arrow cast in the meter body with the register face upwards.
- 2.Pipeline must be flushed before installation.
- 3.The meter should be constantly full of water during operation.